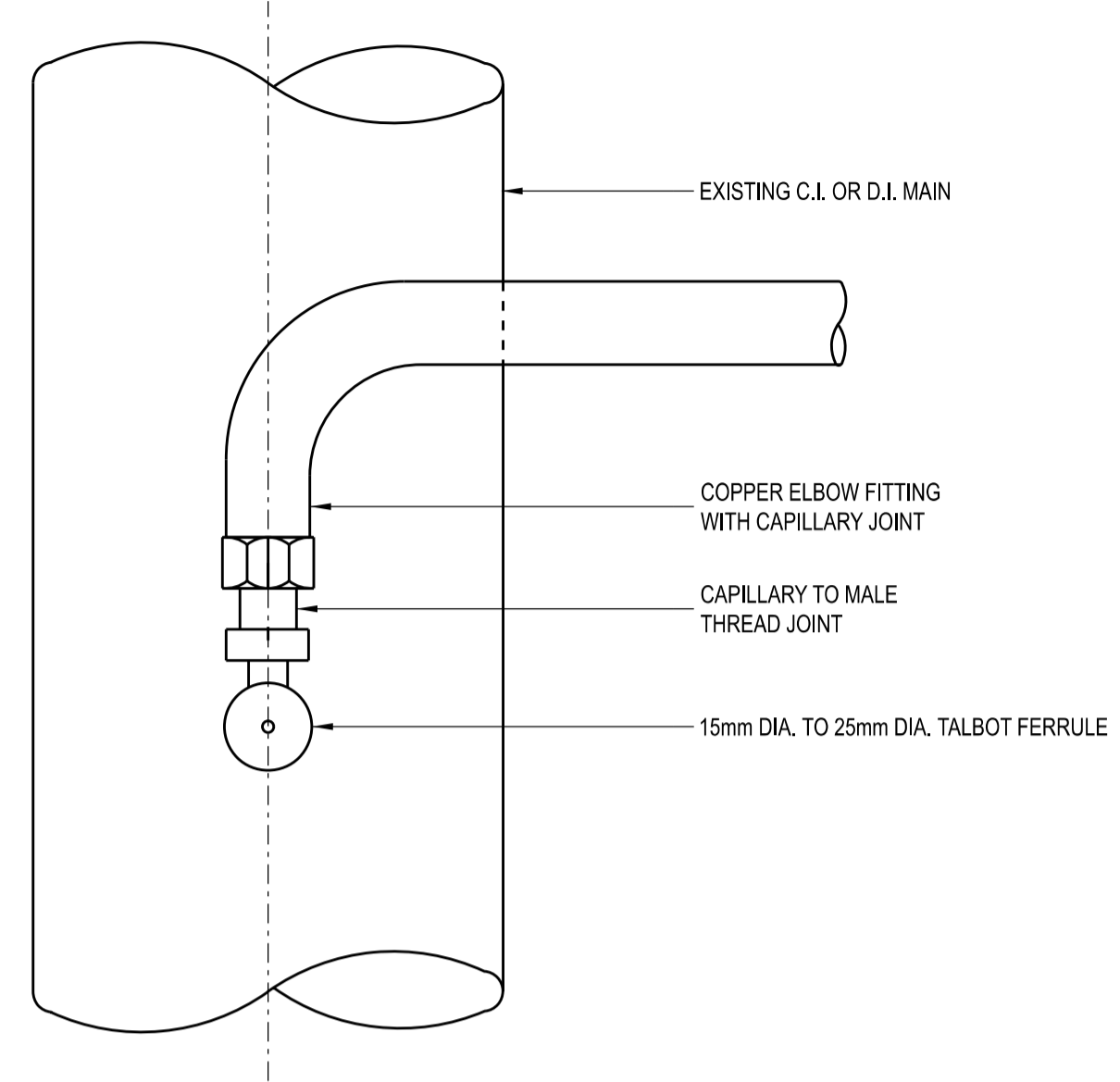
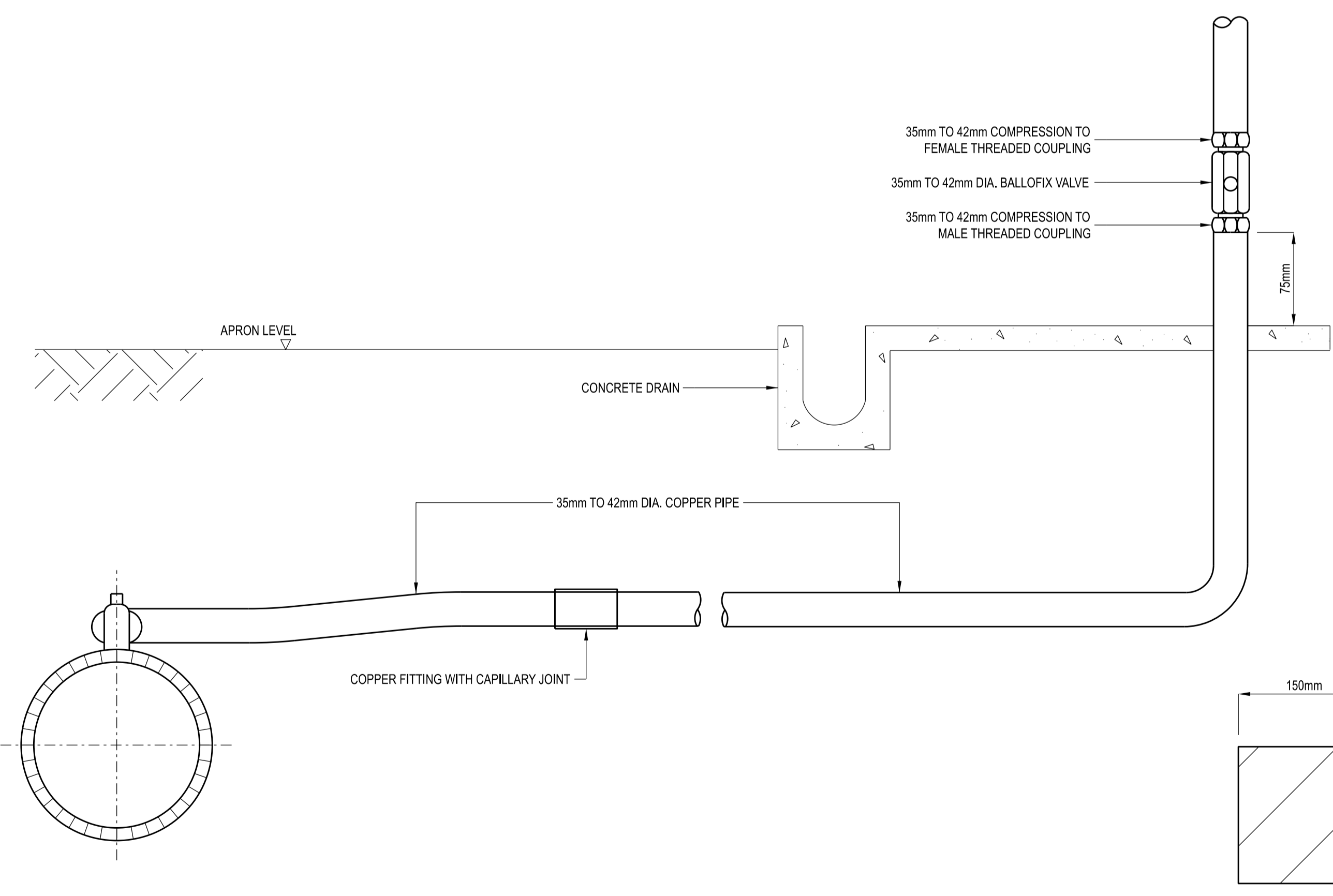
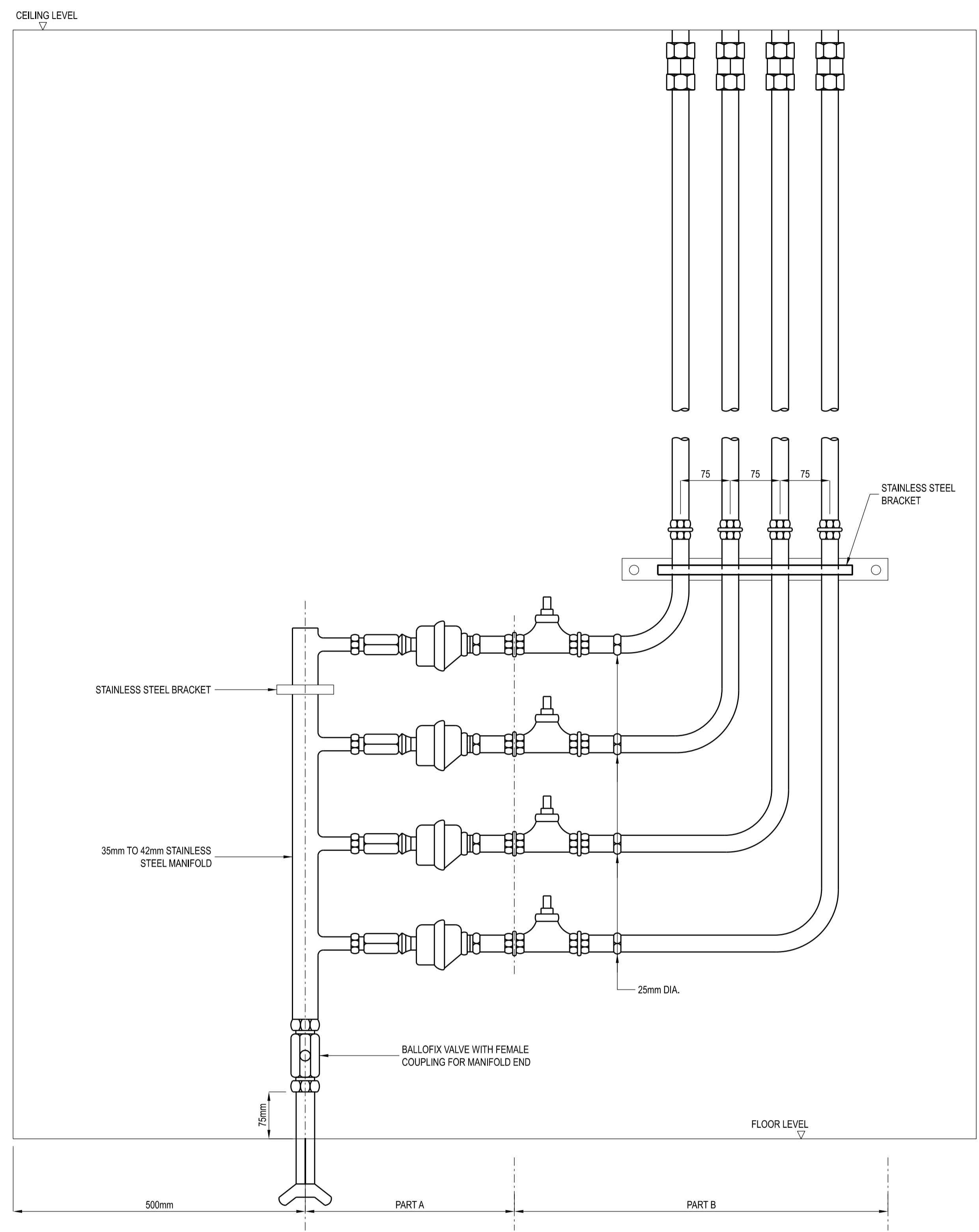


NOTE:
 THIS DRAWING SERVES AS A GUIDE ONLY.
 THERE WILL BE DEVIATIONS UNDER DIFFERENT SITE CONDITIONS.
 THE RATES ENTERED IN THE B.I.Q. WILL BE HELD TO INCLUDE ALL
 SUCH DEVIATION ALTERNATIVE FITTINGS MAY BE USED AT THE
 DISCRETION OF THE S.O.



PLAN



TYPICAL LAYOUT OF COPPER PIPE CONNECTION WITH METER MANIFOLD RISER

LAYOUT OF COPPER PIPE CONNECTION WITH METER MANIFOLD RISER

DRAWING NO.: PUB/WSN/STD/310		DATE OF ISSUE: DEC 2022		SCALE: NTS	REV.: -
REV.	DATE				