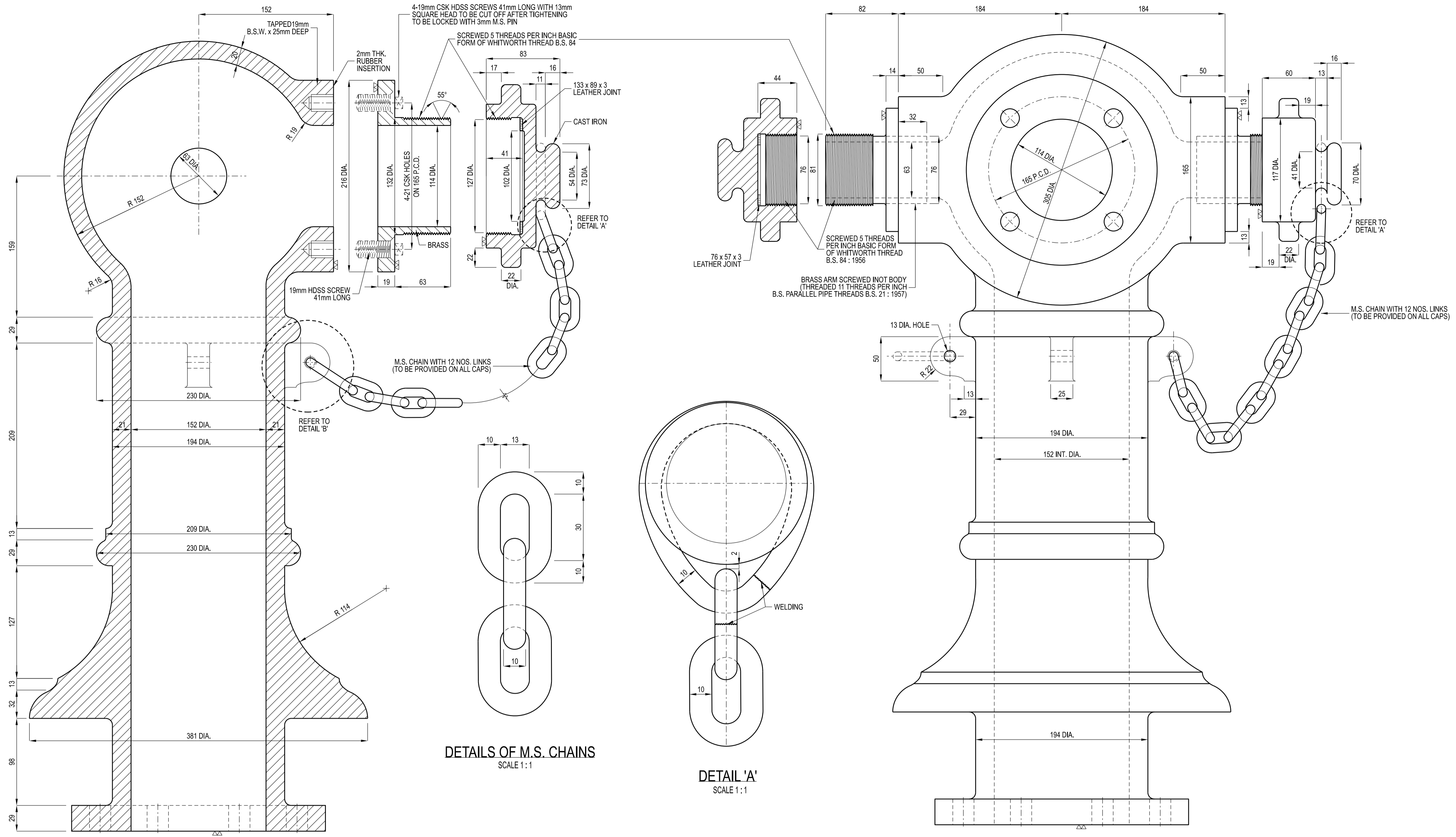


NOTES:
 1. ALL MACHINING SURFACE ARE MARKED THUS $\Delta\Delta$
 2. ALL DIMENSIONS ARE IN MILLIMETRES UNLESS OTHERWISE STATED.



DETAILS OF M.S. CHAINS
SCALE 1:1

DETAIL 'A'
SCALE 1:1

SIDE VIEW
SCALE 1:2.5

FIRE HYDRANT ARM CAP
SCALE 1:2.5

SECTION
SCALE 1:2.5

BASE
SCALE 1:2.5

DETAIL 'B'
SCALE 1:1

| | | |
|------|------|-------------------------------------|
| REV. | DATE | DRAWING NO.: PUB/WSN/STD/314 |
| | | DATE OF ISSUE: DEC 2022 |
| | | SCALE: AS SHOWN |
| | | REV.: - |

150MM DIA. TRIPLE PILLAR HYDRANT