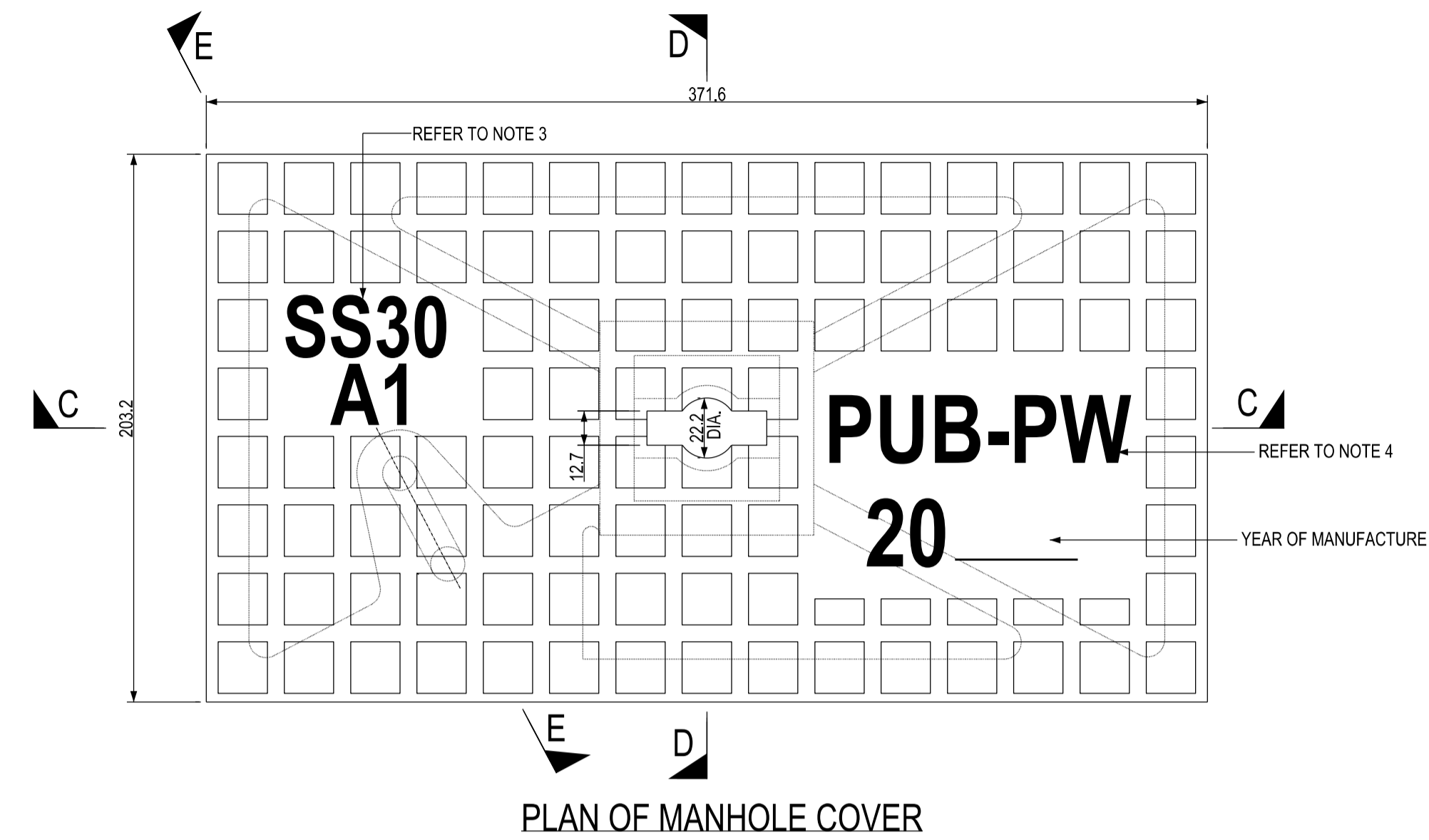
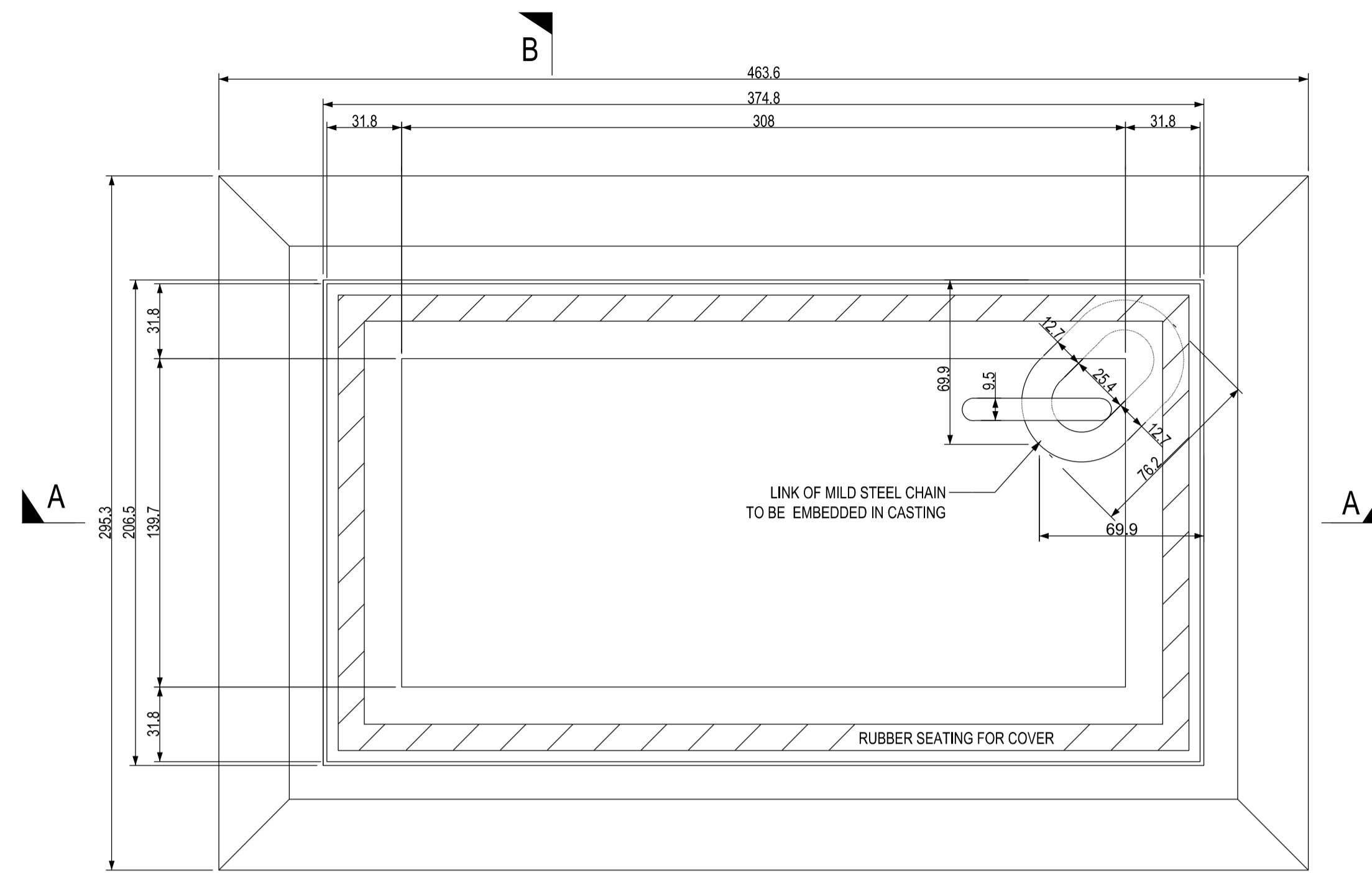
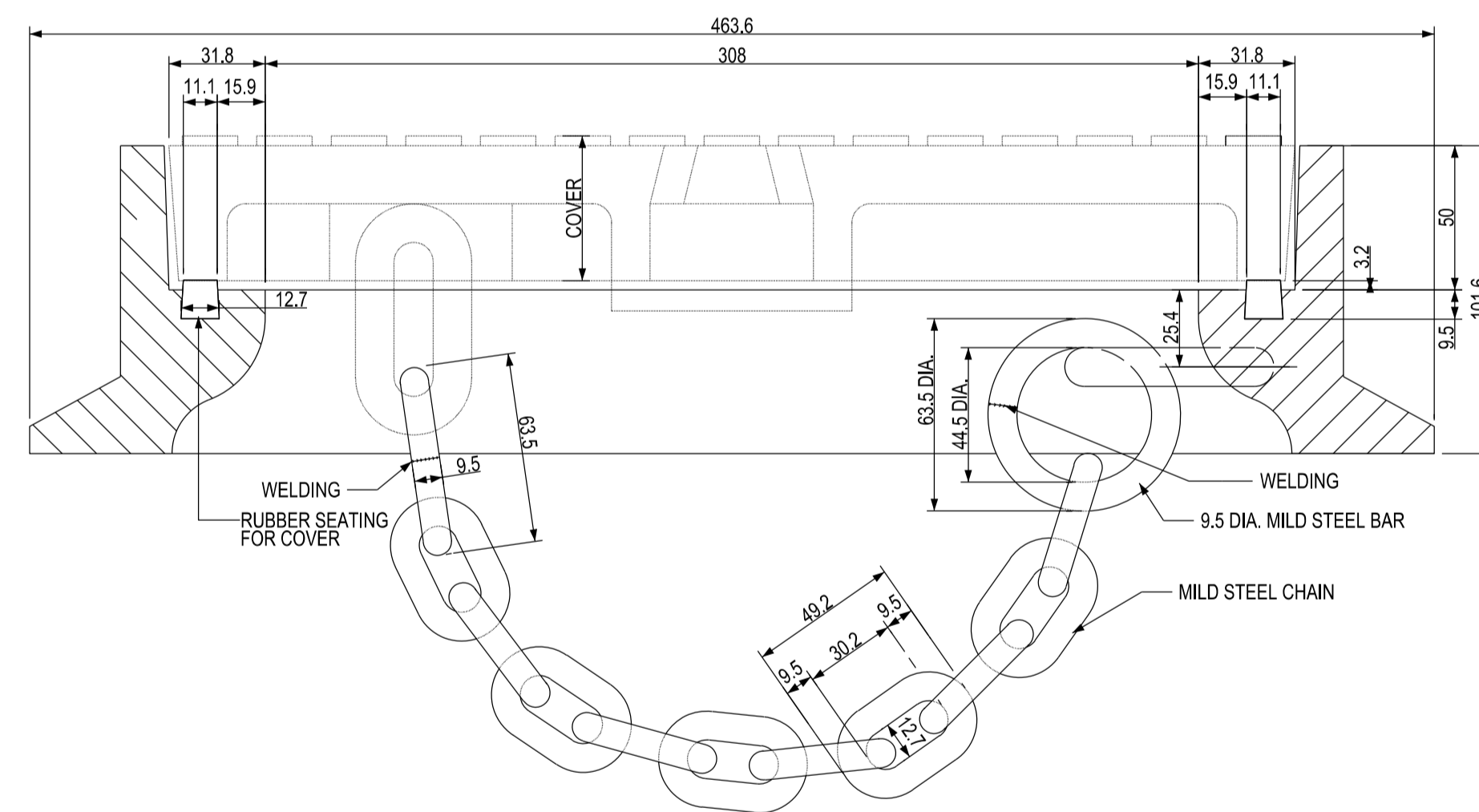


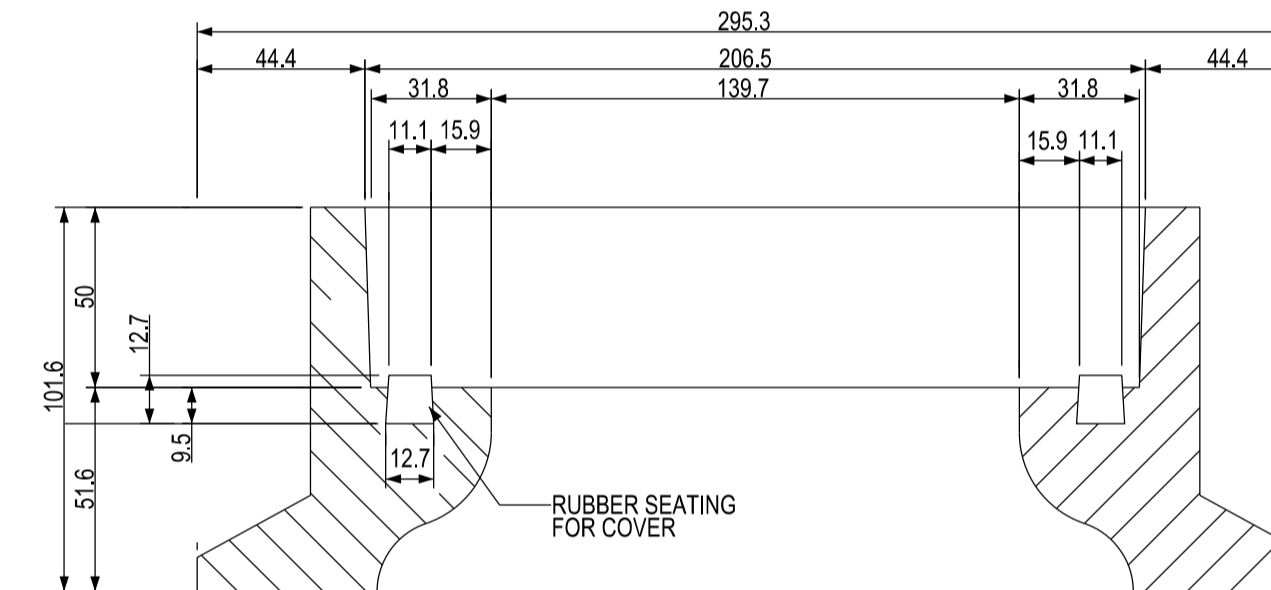
- NOTES:
1. ALL DIMENSIONS ARE IN MILLIMETRES UNLESS OTHERWISE STATED.
 2. REFER TO THE GENERAL NOTES IN DRAWING NO. PUB/WSN/IGN001
 3. THE MANHOLE COVER AND FRAMES SHALL BE GRADE A1 AND COMPLY WITH SS 30.
 4. LABEL ON MANHOLE COVERS SHALL BE:
PUB - PW FOR POTABLE WATER
PUB - NW FOR NEWATER
 5. MANHOLE COVERS FOR NEWATER PIPELINES SHALL BE PAINTED PURPLE (COLOUR CODE: 22-C-37).



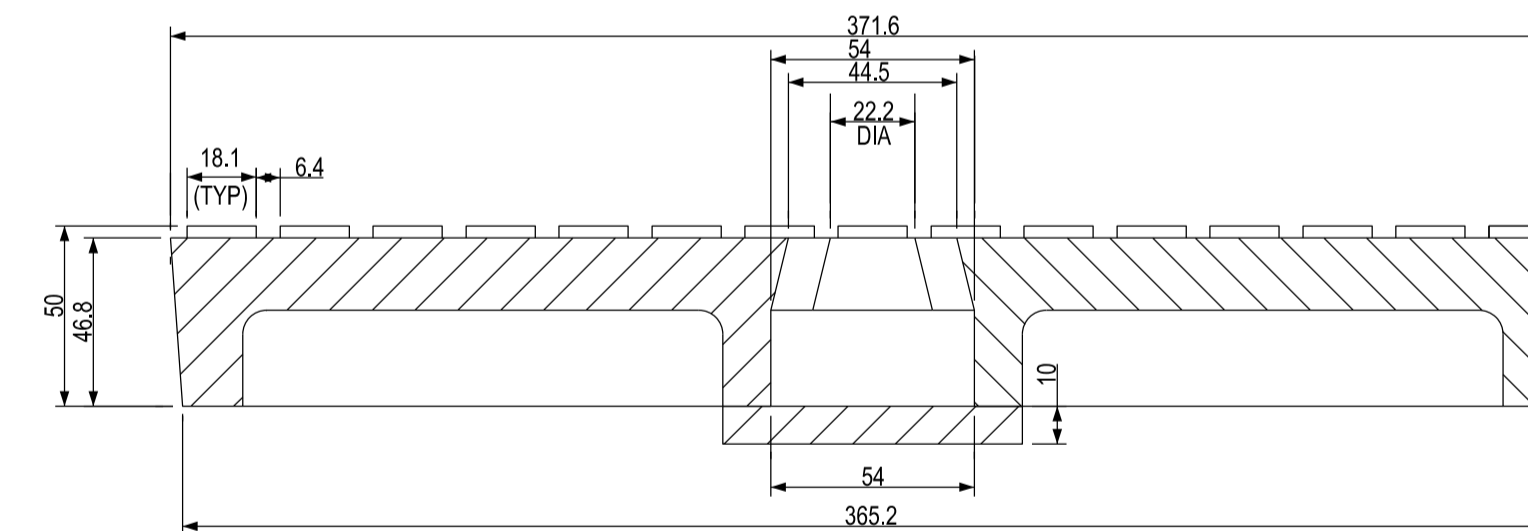
STANDARD RECTANGLE DUCTILE IRON (GRADE A1) MANHOLE FRAME AND COVER
(FOR SLUICE VALVE BEFORE HYDRANT)



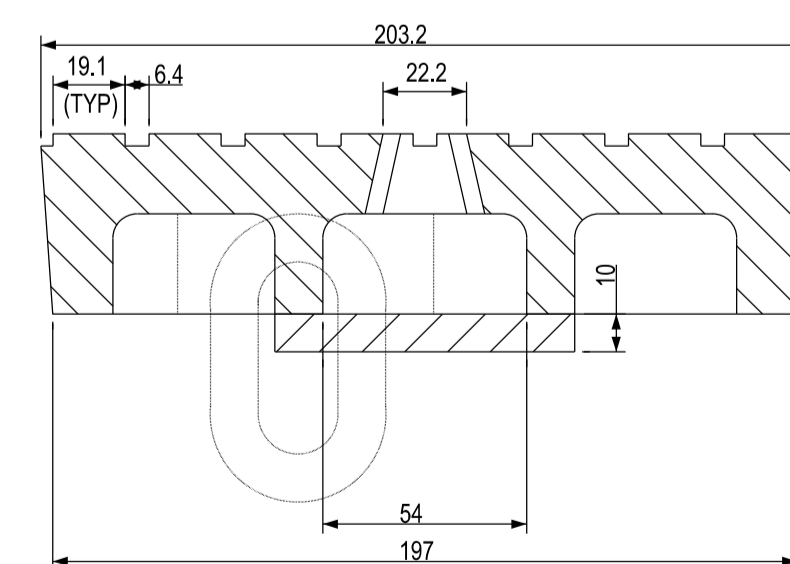
SECTION A-A



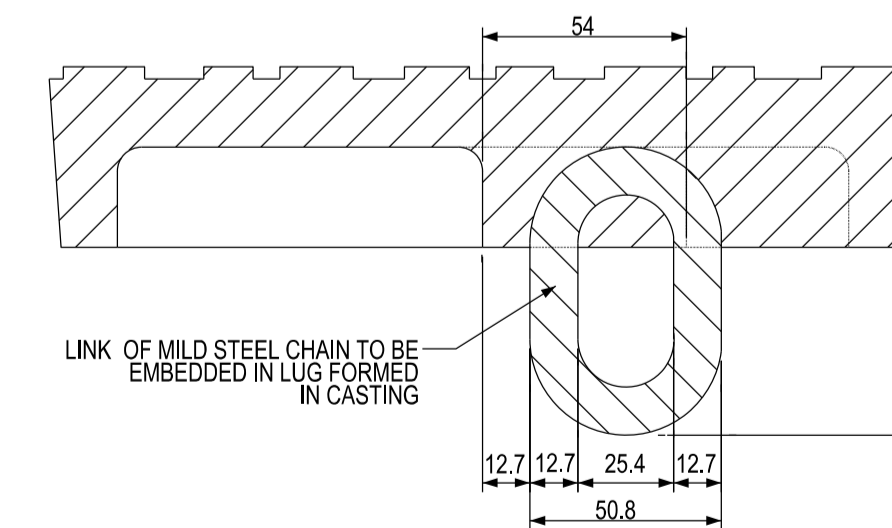
SECTION B-B



SECTION C-C



SECTION D-D



SECTION E-E

ISSUED: SEP 2020

SCALE

DRAWING NO.

LAST REVIEWED: AUG 2021

1:2

PUB/WSN/STD/205

STANDARD RECTANGLE DUCTILE IRON (GRADE A1) MANHOLE FRAME AND COVER
(FOR SLUICE VALVE BEFORE HYDRANT)