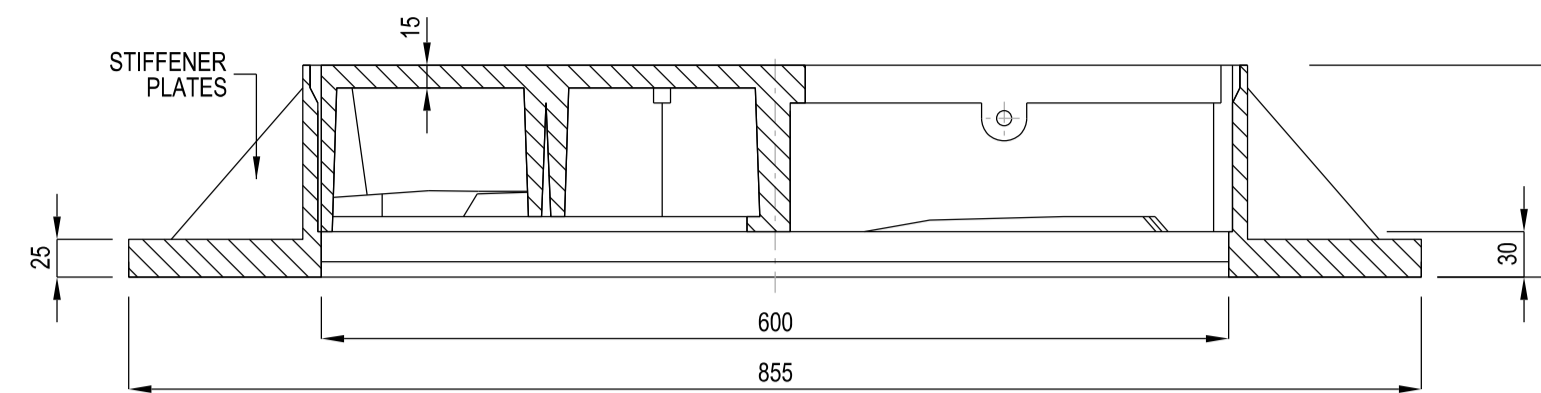
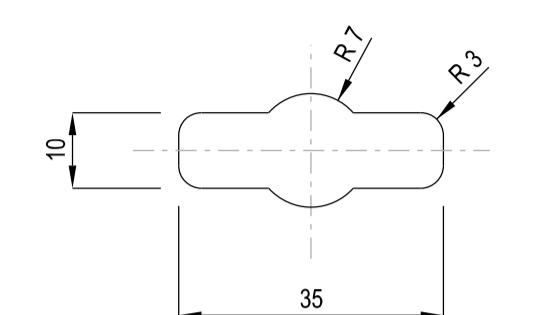


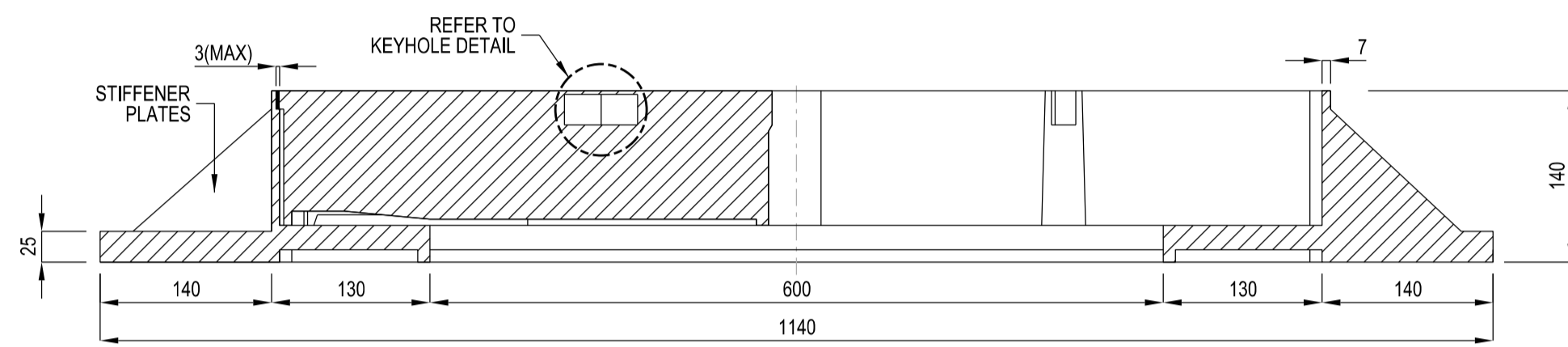
TOP VIEW OF STANDARD HEAVY DUTY DOUBLE TRIANGULAR DUCTILE IRON MANHOLE FRAME AND COVER
SCALE 1:5



SECTION A - A
SCALE 1:5

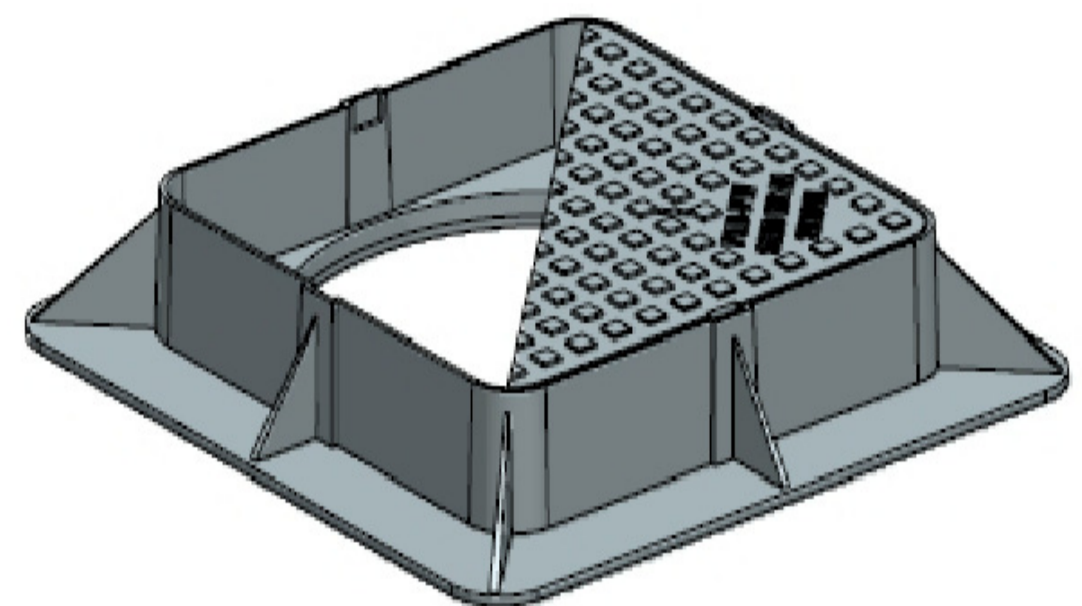


DETAIL OF KEYHOLE
SCALE 1:1

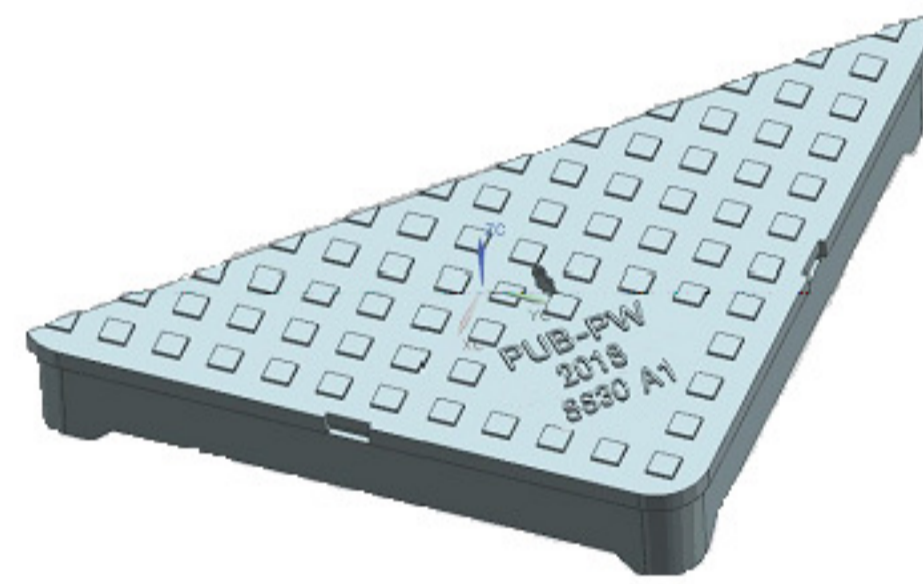


SECTION B - B
SCALE 1:5

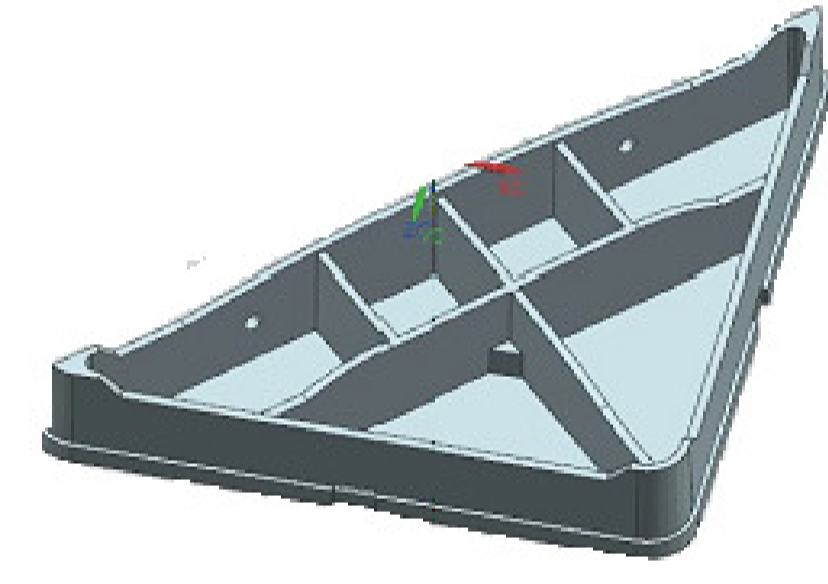
BRICK (REFER BRICK DETAIL BELOW)
600MM DIA. OPENING
REFER TO KEYHOLE DETAIL
SEE ISOMETRIC VIEW OF MANHOLE COVER AND FRAME ON THE RIGHT
REFER TO NOTE 4
YEAR OF MANUFACTURE



OVERALL VIEW OF MANHOLE COVER AND FRAME

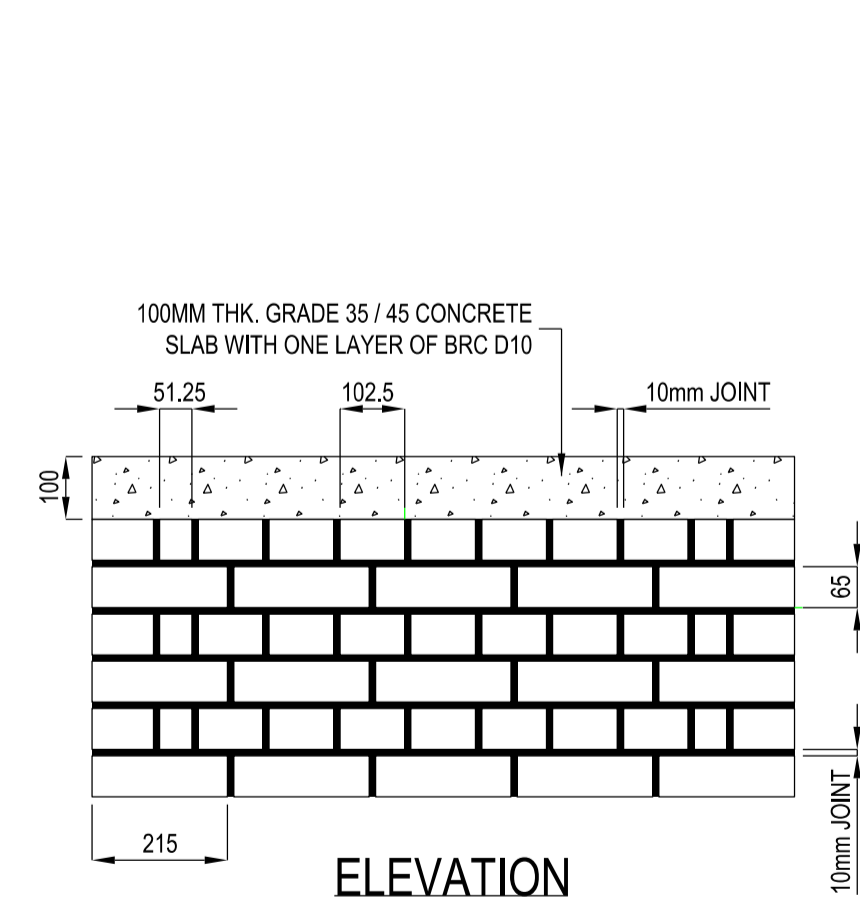


TOP VIEW OF MANHOLE COVER

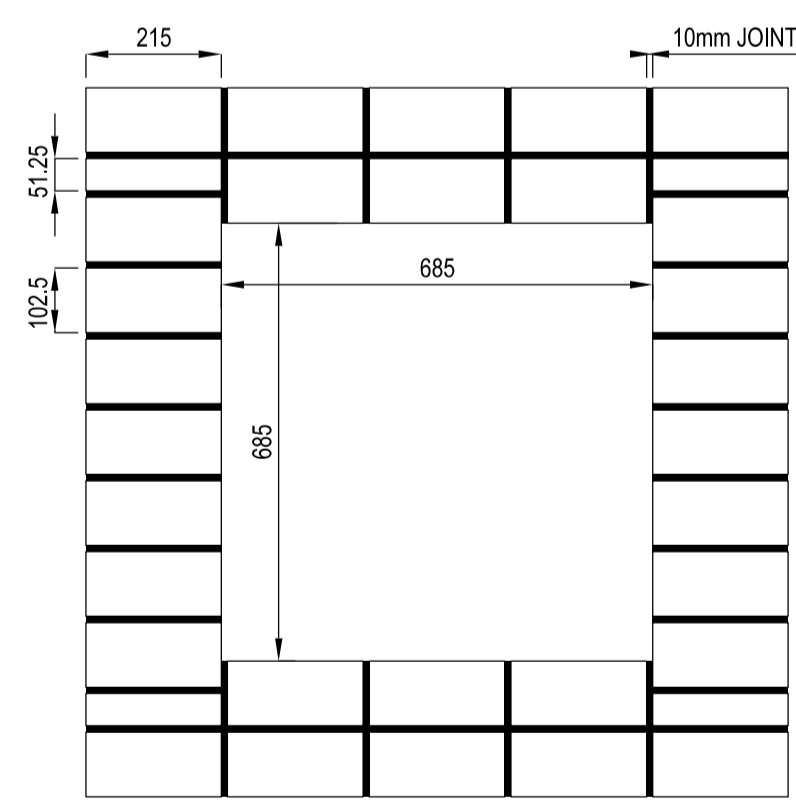


UNDERSIDE VIEW OF MANHOLE COVER

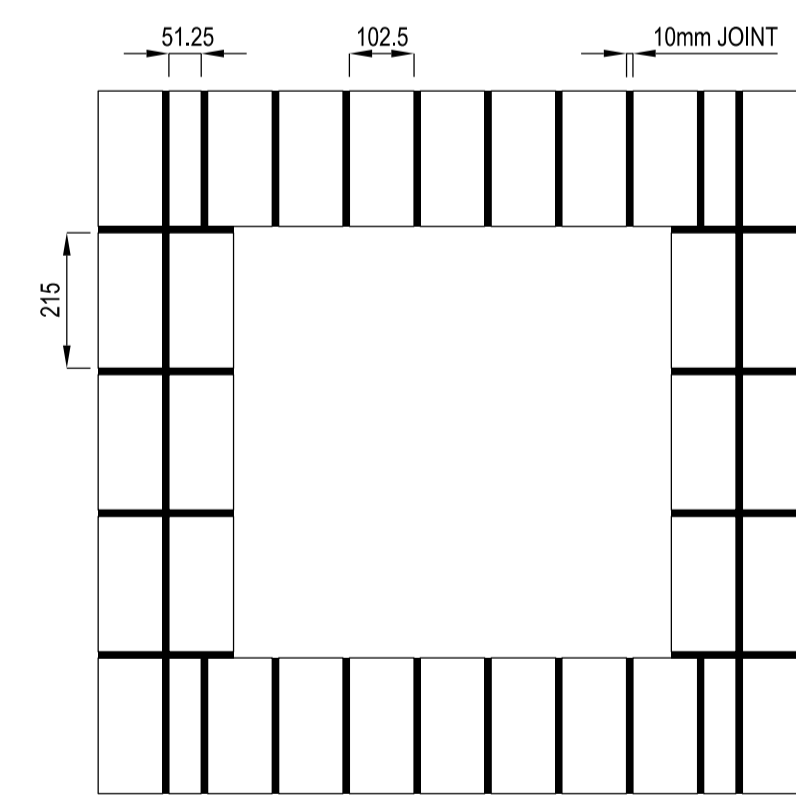
ISOMETRIC VIEWS OF STANDARD HEAVY DUTY DUCTILE IRON (GRADE A1) MANHOLE FRAME AND COVER
SCALE: NTS



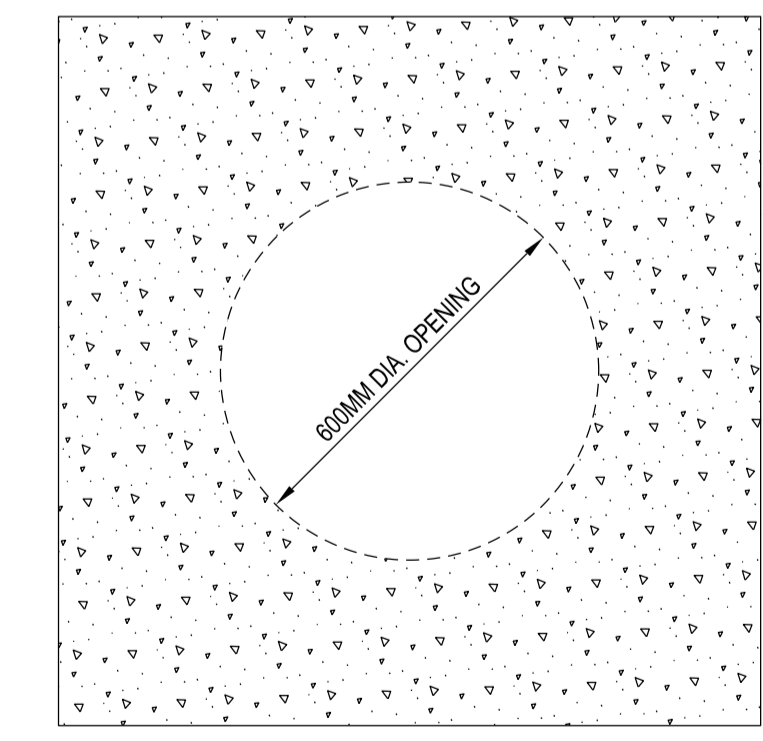
ELEVATION



1ST COURSE



2ND COURSE



100MM THK. GRADE 35 / 45 CONCRETE SLAB WITH ONE LAYER OF BRC D10

BRICKWORK BELOW STANDARD HEAVY DUTY DOUBLE TRIANGULAR MANHOLE COVER AND FRAME
SCALE: 1:12

- NOTES:
- ALL DIMENSIONS ARE IN MILLIMETRES UNLESS OTHERWISE STATED.
 - REFER TO THE GENERAL NOTES IN DRAWING NO. PUB/WSN/001.
 - MANHOLE COVER AND FRAME SHALL BE GRADE A1 TO SS30:1999 (MANHOLE TOPS AND SURFACE-BOX TOPS)
 - LABEL ON MANHOLE COVERS SHALL BE: PUB-PW FOR POTABLE WATER, PUB-NW FOR NEWATER
 - MANHOLE COVERS FOR NEWATER PIPELINES SHALL BE PAINTED PURPLE (COLOUR CODE: Z2-C-37).
 - BRICKWORK FOR CHAMBER SHALL BE LAID AS MASONRY WALL TO EUROCODE 6 (DESIGN OF MASONRY STRUCTURES - PART 1). MASONRY UNITS SHALL BE MINIMUM ENGINEERING BRICK CLASS B TO BS EN 772 (METHODS OF TESTS FOR MASONRY UNITS - PART 1) WITH M12 MORTAR.
 - BRICKWORKS FOR VALVE SPINDLES SUPPORTING SMALL MANHOLE COVER AND FRAME SHALL BE OF SIMILAR DESIGN.

ISSUED : NOV 2020

SCALE

DRAWING NO.

LAST REVIEWED : AUG 2021

AS SHOWN

PUB/WSN/STD/204

STANDARD HEAVY DUTY DUCTILE IRON (GRADE A1) MANHOLE FRAME AND COVER FOR CHAMBER ACCESS

