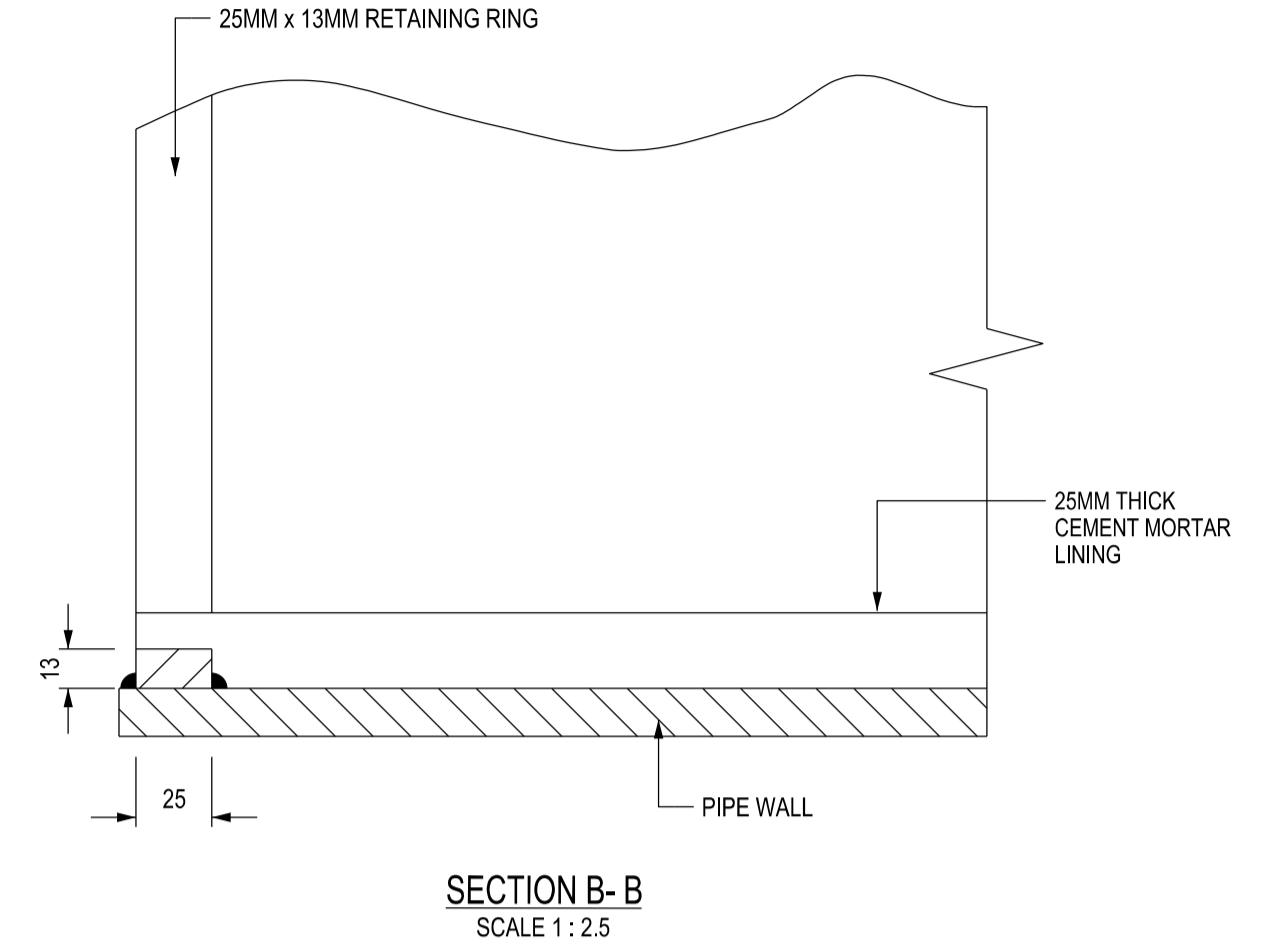
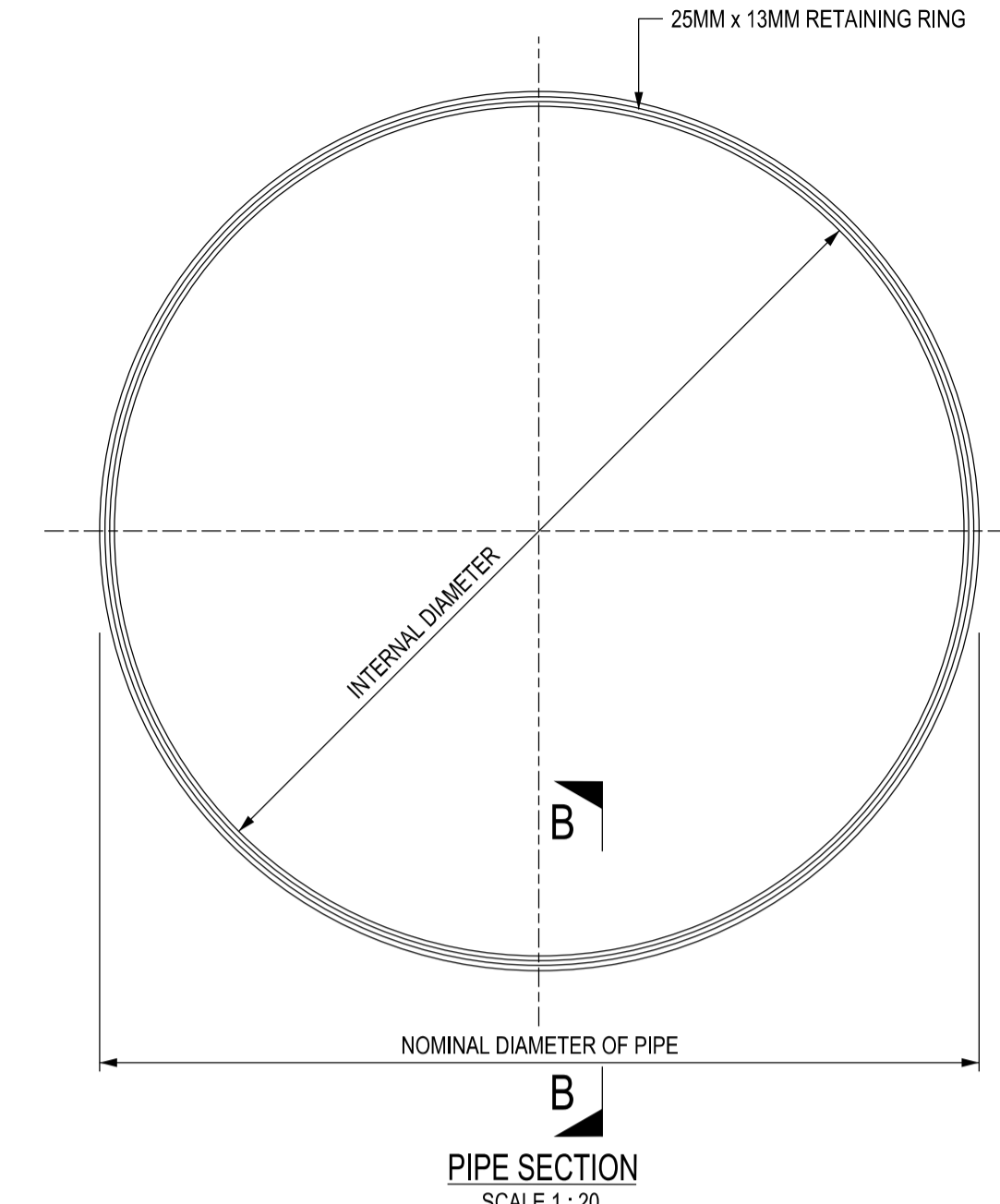


TABLE 1

| NOMINAL DIAMETER OF PIPE (MM) | LENGTH 'L' (MM) | THICKNESS OF PLATE 't1' (MM) |
|-------------------------------|-----------------|------------------------------|
| <1200 | 100 | 20 |
| ≥1200 | 150 | 50 |

PUDDLE FLANGE
SCALE 1 : 20
NOTES: PUDDLE FLANGE SHALL BE FABRICATED IN TWO HALVES AND WELD ONTO PIPE ON EITHER SIDE OF PLATE.



DETAILS OF RETAINING RING ≥ 1400MM DIA. (TO BE INSTALLED ON PIPES)

NOTES:
A. RETAINING RING SHALL BE PROVIDED FOR ALL PLAIN END PIPE WHERE DISMANTLING JOINT OR MECHANICAL COUPLING IS TO BE INSTALLED.

NOTES:
1. ALL DIMENSIONS ARE IN MILLIMETRES UNLESS OTHERWISE STATED.
2. THE CONTRACTOR SHALL REFER TO THE GENERAL NOTES IN DRAWING NO. PUB/WSN/GN/001.
3. 'tw' REFERS TO THE LEG OF THE FILLET WELD. 'tw' SHALL NOT BE LESS THAN THE THICKNESS OF THE PLATE FORMING THE JOINT. ALL WELDING SHALL BE BUILT UP TO FULL THROAT THICKNESS.

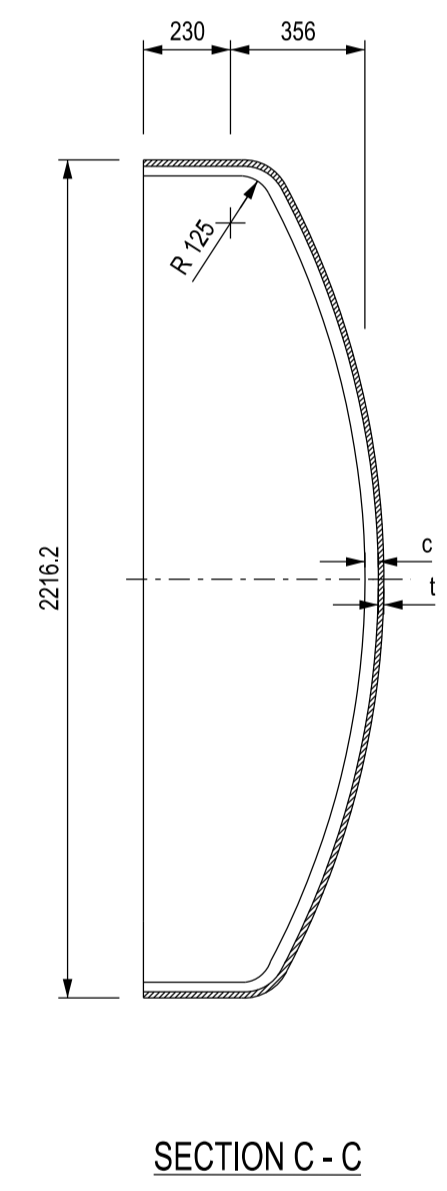
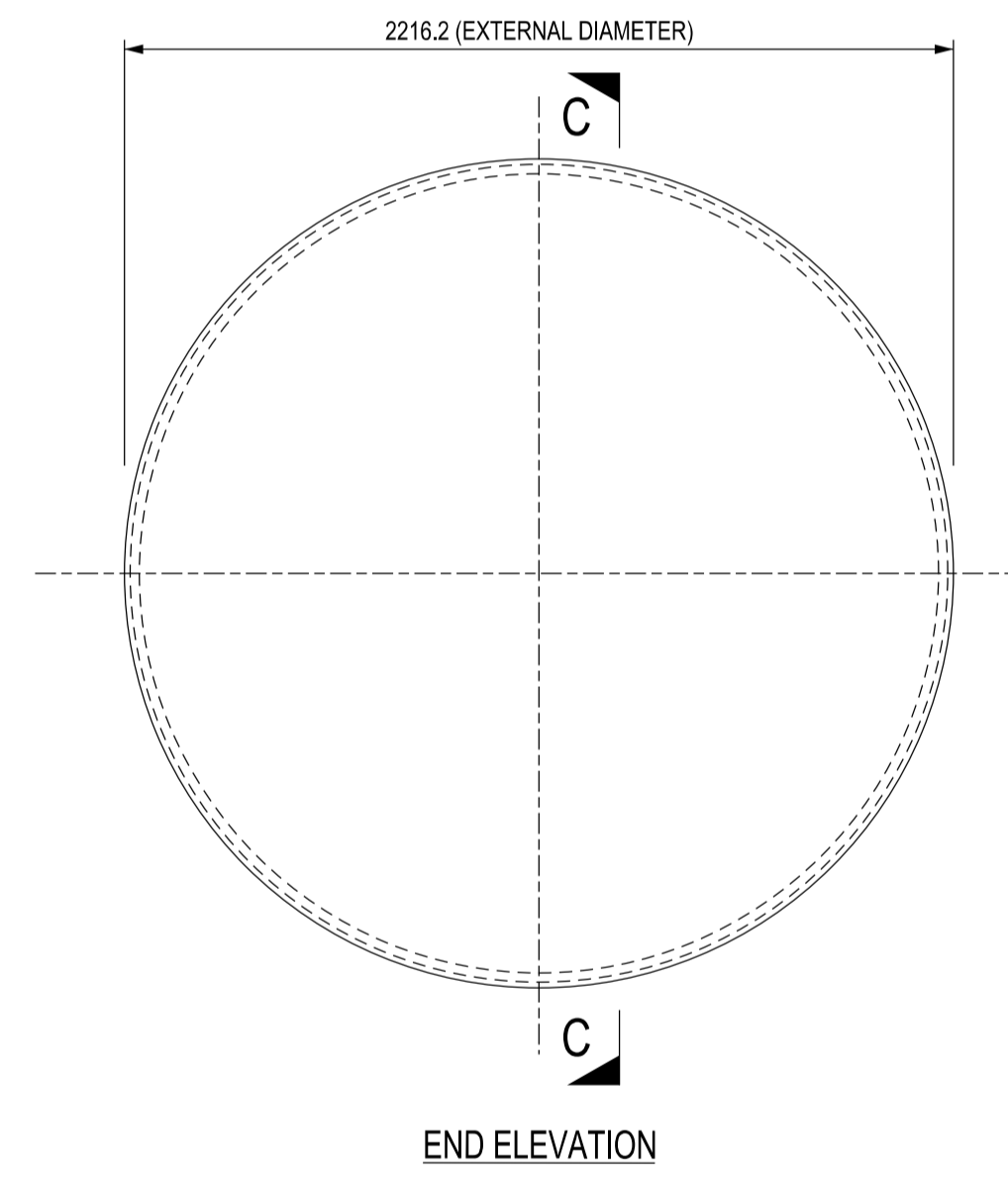
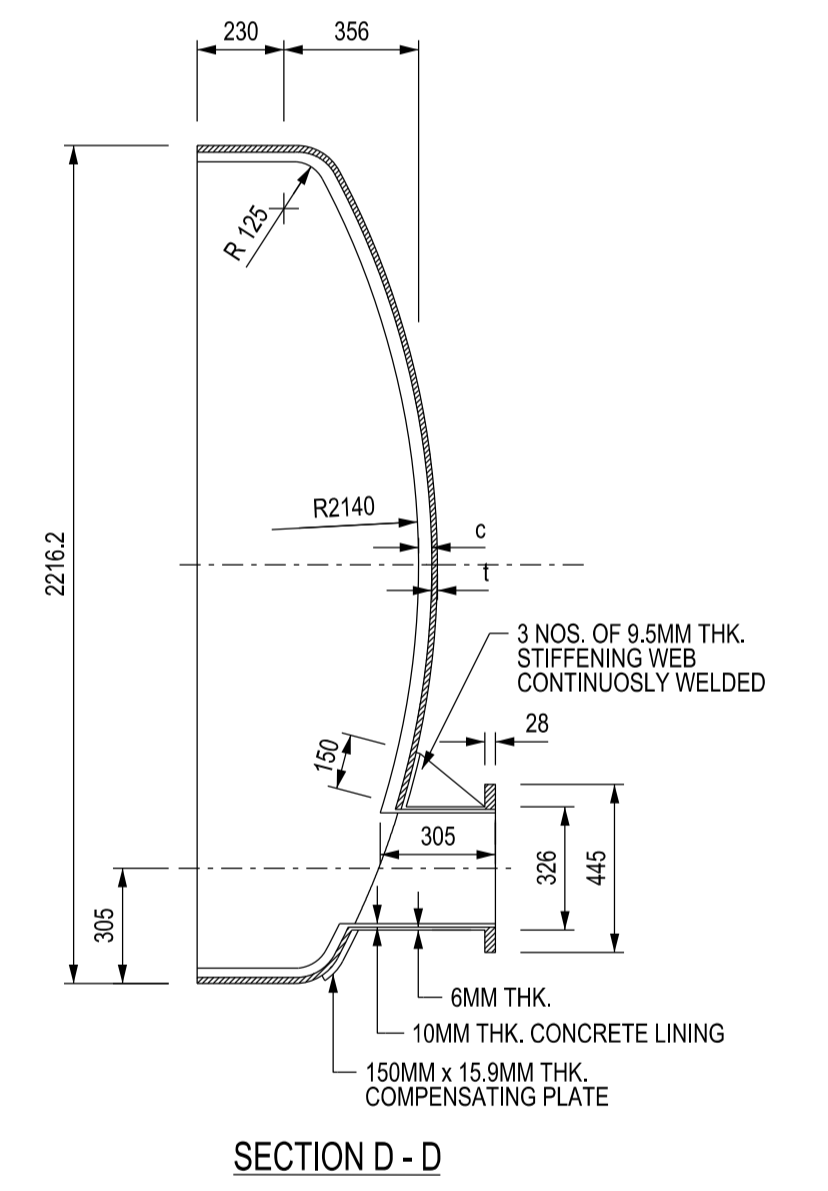
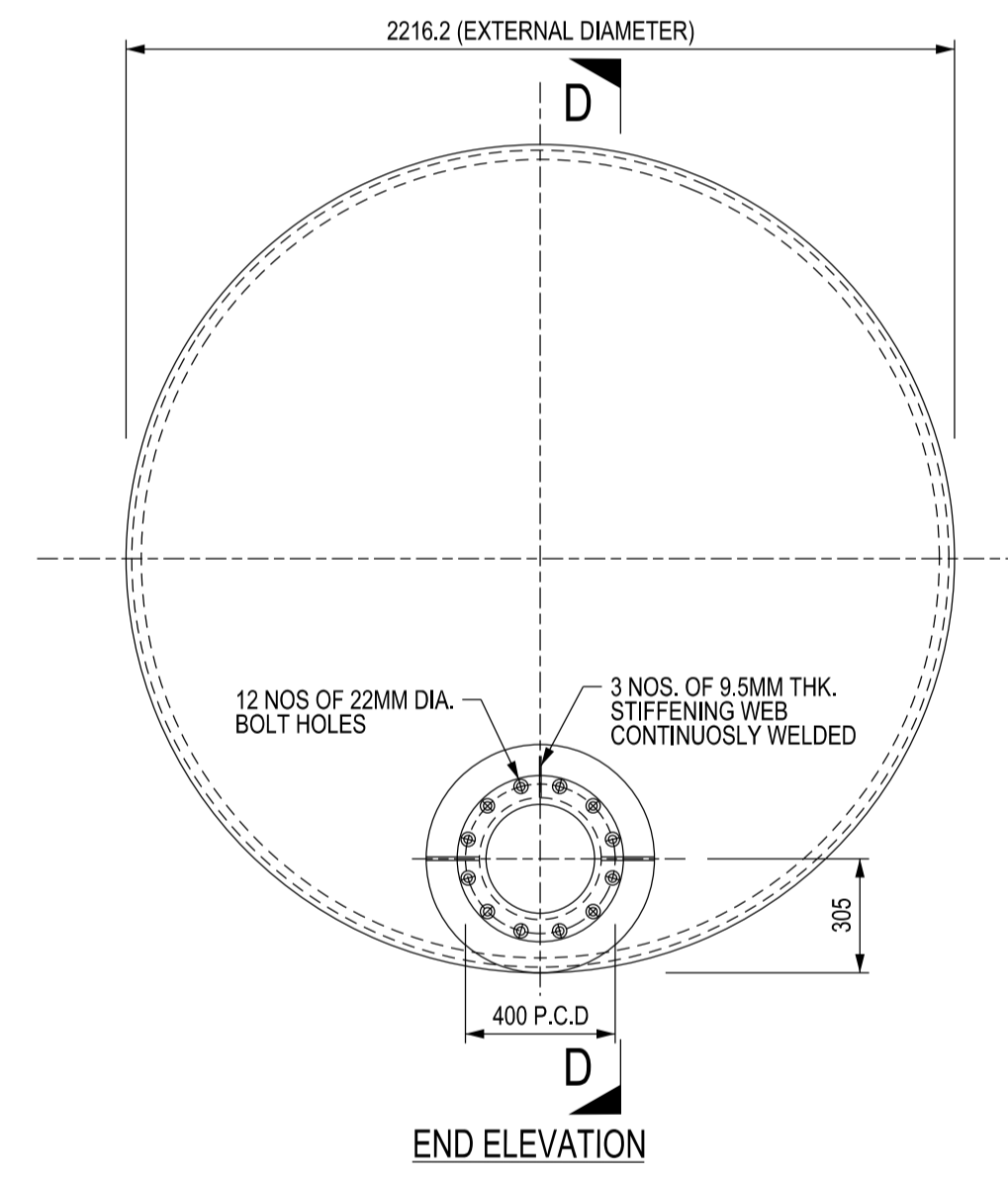


TABLE 2

| NOMINAL DIAMETER OF PIPE 'D' (MM) | THICKNESS OF STEEL SHELL 't' (MM) | 'c' (MM) |
|-----------------------------------|-----------------------------------|----------|
| 700 | 9.5 | 13.0 |
| 800 | 12.7 | 19.0 |
| 900 | 12.7 | 19.0 |
| 1200 | 15.9 | 19.0 |
| 1400 | 15.9 | 25.0 |
| 1600 | 15.9 | 25.0 |
| 1800 | 15.9 | 25.0 |
| 1900 | 15.9 | 25.0 |
| 2200 | 19.0 | 25.0 |

DETAILS OF 2200MM DIA. DISHED END WITHOUT OFFTAKE
SCALE 1 : 20
NOTES:
A. ADOPT SIMILAR DESIGN FOR DISHED ENDS OF OTHER DIAMETERS.



DETAILS OF 2200MM DIA. DISHED END WITH 300MM DIA. OFFTAKE
SCALE 1 : 20
NOTES:
A. ADOPT SIMILAR DESIGN FOR DISHED ENDS OF OTHER DIAMETERS.

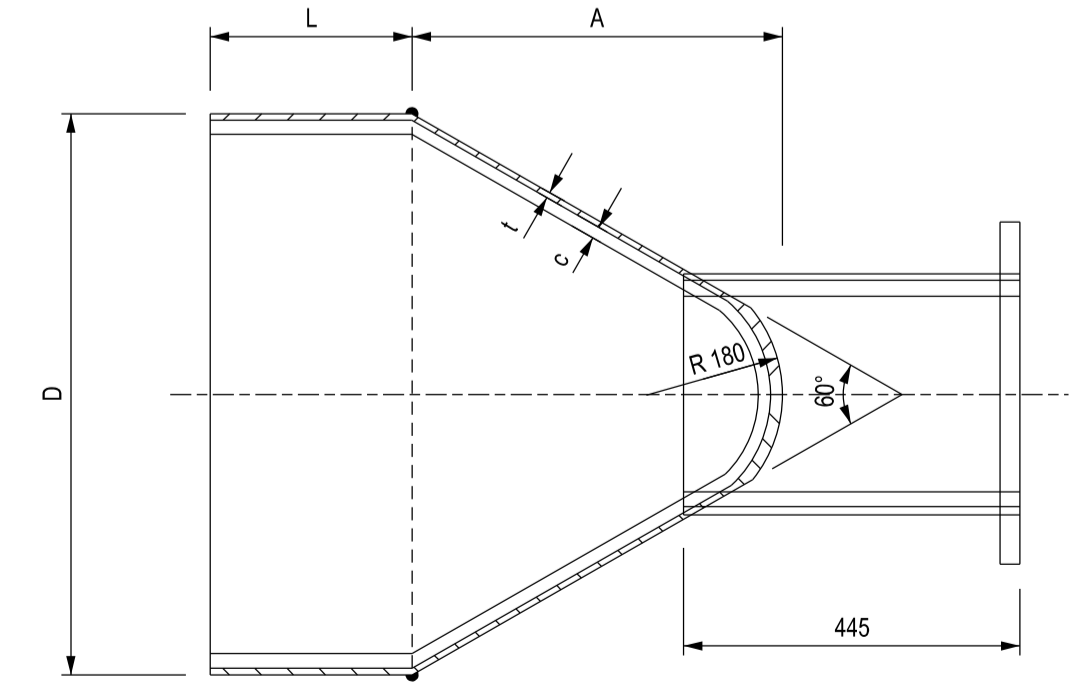


TABLE 3

| NOMINAL DIAMETER OF PIPE 'D' (MM) | 'L' (MM) | 'A' (MM) | 't' (MM) | 'c' (MM) |
|-----------------------------------|----------|----------|----------|----------|
| 700 | 610 | 400 | 9.5 | 13 |
| 800 | 915 | 535 | 12.7 | 19 |
| 900 | 915 | 630 | 12.7 | 19 |
| 1200 | 915 | 900 | 15.9 | 19 |
| 1400 | 915 | 1170 | 15.9 | 25 |
| 1600 | 1000 | 1210 | 15.9 | 25 |
| 1800 | 1000 | 1380 | 15.9 | 25 |
| 1900 | 1000 | 1525 | 15.9 | 25 |
| 2200 | 1000 | 1790 | 19.0 | 25 |

DETAILS OF CONICAL BLANK END WITH 300MM DIA. OFFTAKE
SCALE 1 : 10

ISSUED : SEP 2020

SCALE

DRAWING NO.

LAST REVIEWED : AUG 2021

AS SHOWN

PUB/WSN/STD/004

DETAILS OF PUDDLE FLANGE, RETAINING RING, DISHED END AND CONICAL BLANK END WITH 300MM DIA. OFFTAKE