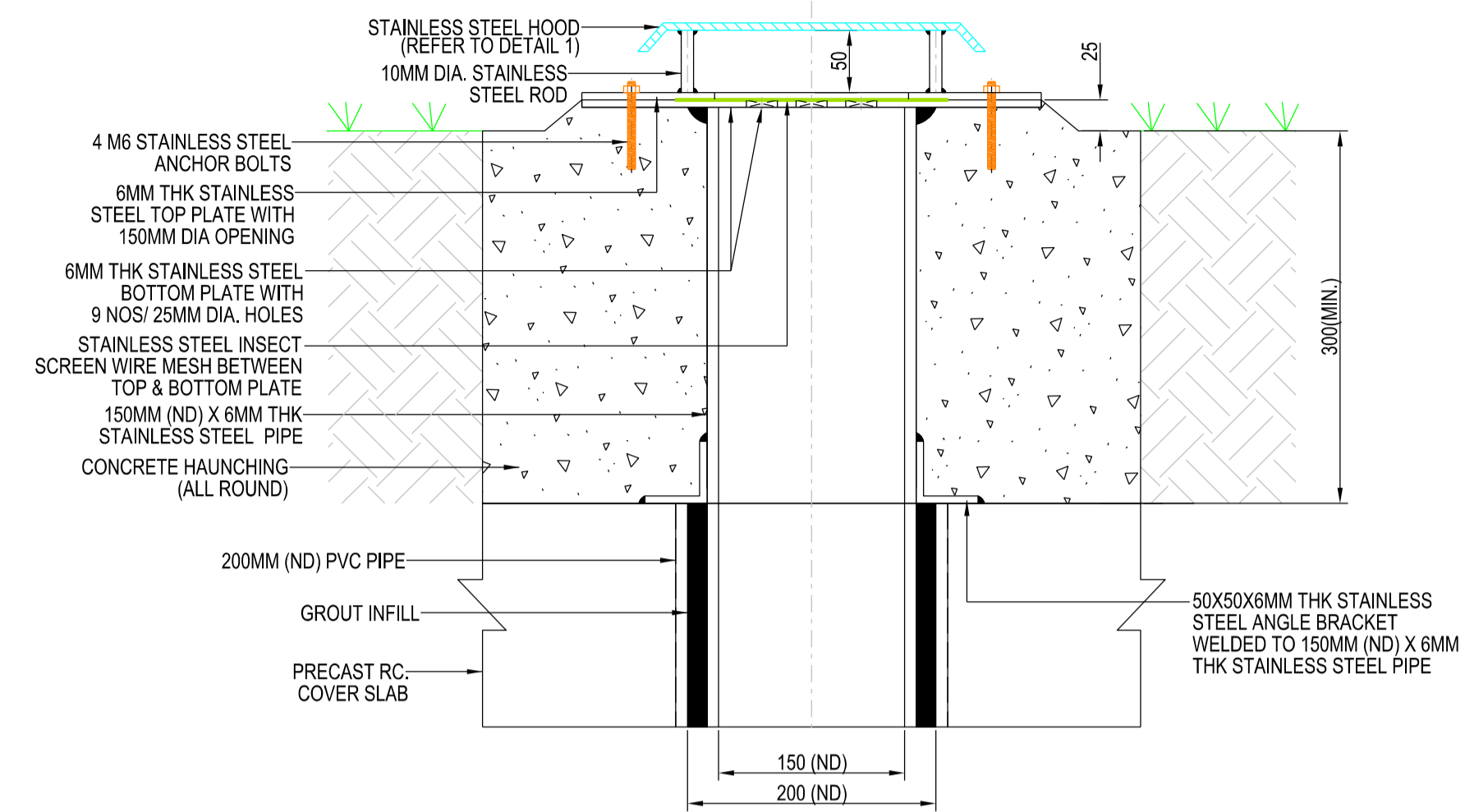
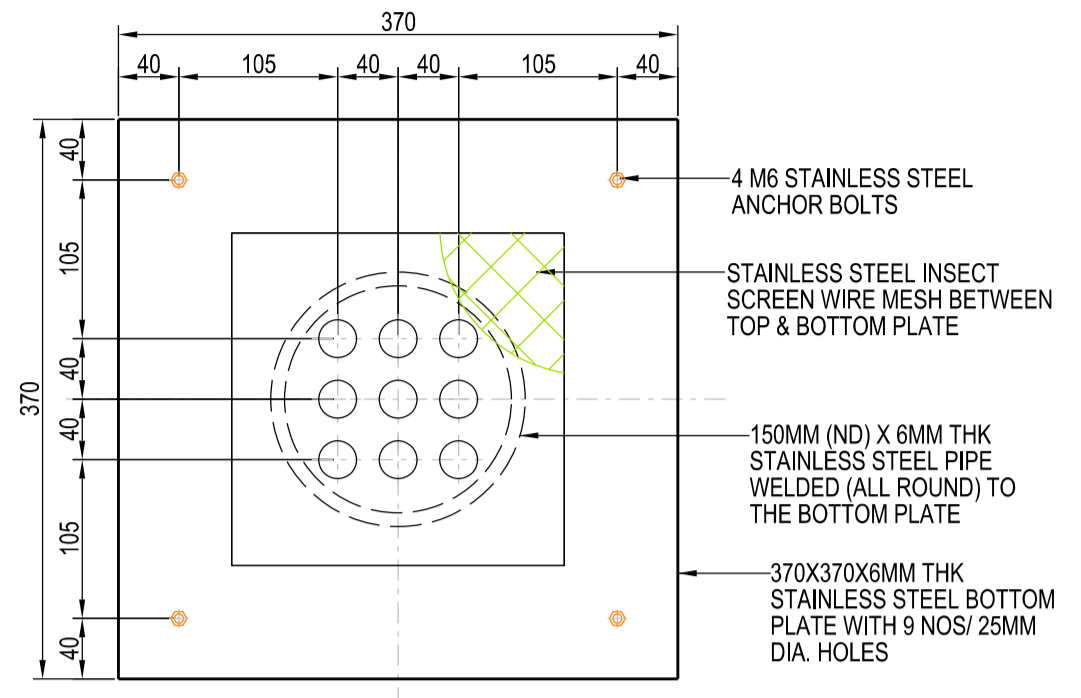


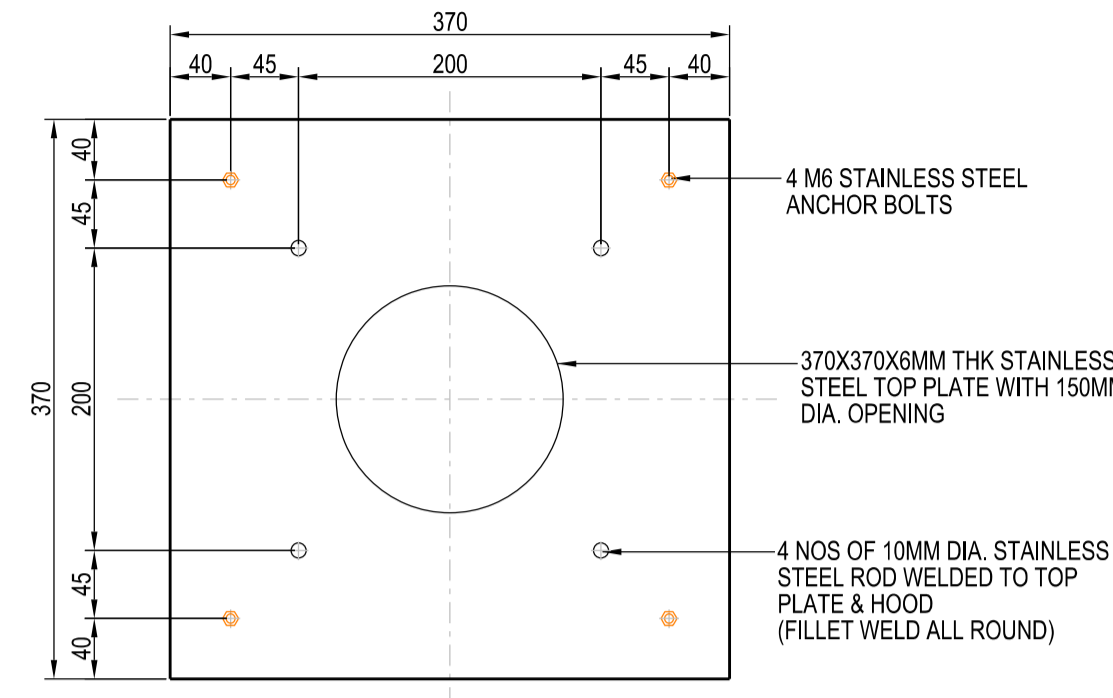
- NOTES:
1. ALL DIMENSIONS ARE IN MILLIMETRES UNLESS OTHERWISE STATED.
 2. THE CONTRACTOR SHALL REFER TO THE GENERAL NOTES IN DRAWING NO. PUB/WSN/GN/001.
 3. ALL COMPONENTS OF THE AIR VENT INCLUDING HOOD SHALL BE OF STAINLESS STEEL (GRADE 304).
 4. STAINLESS STEEL INSECT SCREEN WIRE MESH OF THE AIR VENTS SHALL BE CLEANED BEFORE ANY DRAINING OF PIPE FOR REPAIR OR FIRST TIME CHARGING OF PIPELINE FOR COMMISSIONING.
 5. AIR VENT WITH HOOD SHALL ONLY BE PROVIDED IN OPEN COUNTRY. IN PUBLIC AREAS WITH HUMAN TRAFFIC, 100MM DIA. HEAVY DUTY UPVC VENT PIPE TO THE NEAREST DRAIN SHALL BE PROVIDED INSTEAD.



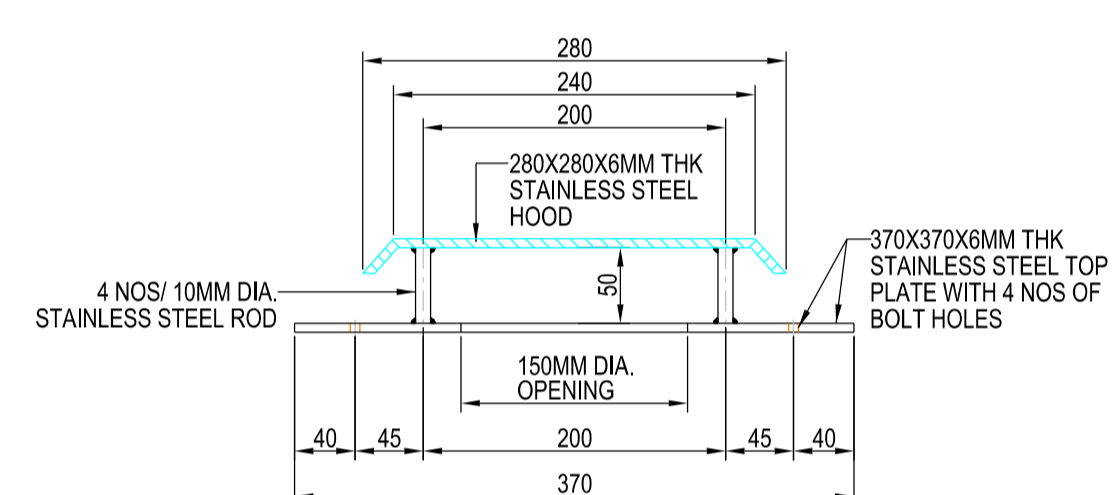
AIR VENT WITH HOOD DETAIL



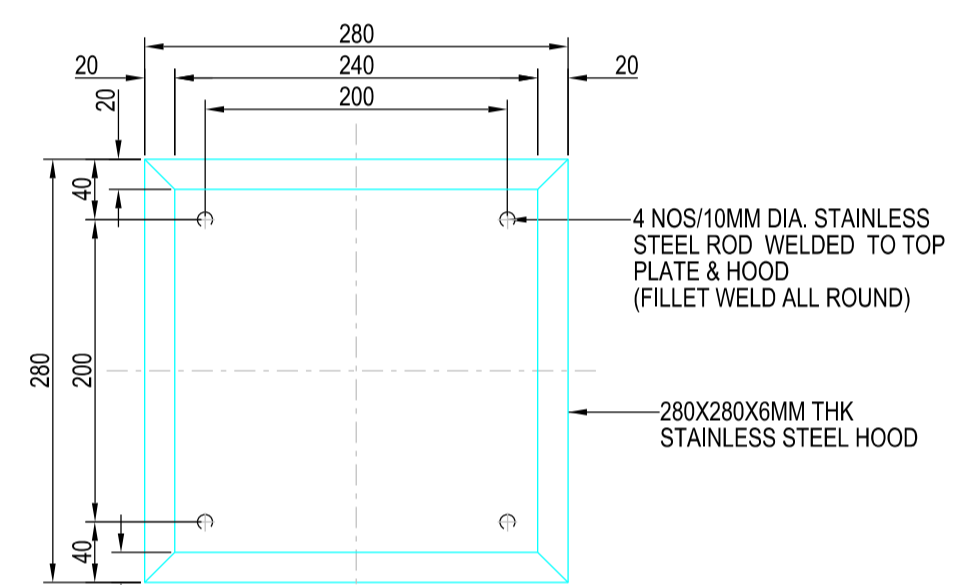
BOTTOM PLATE



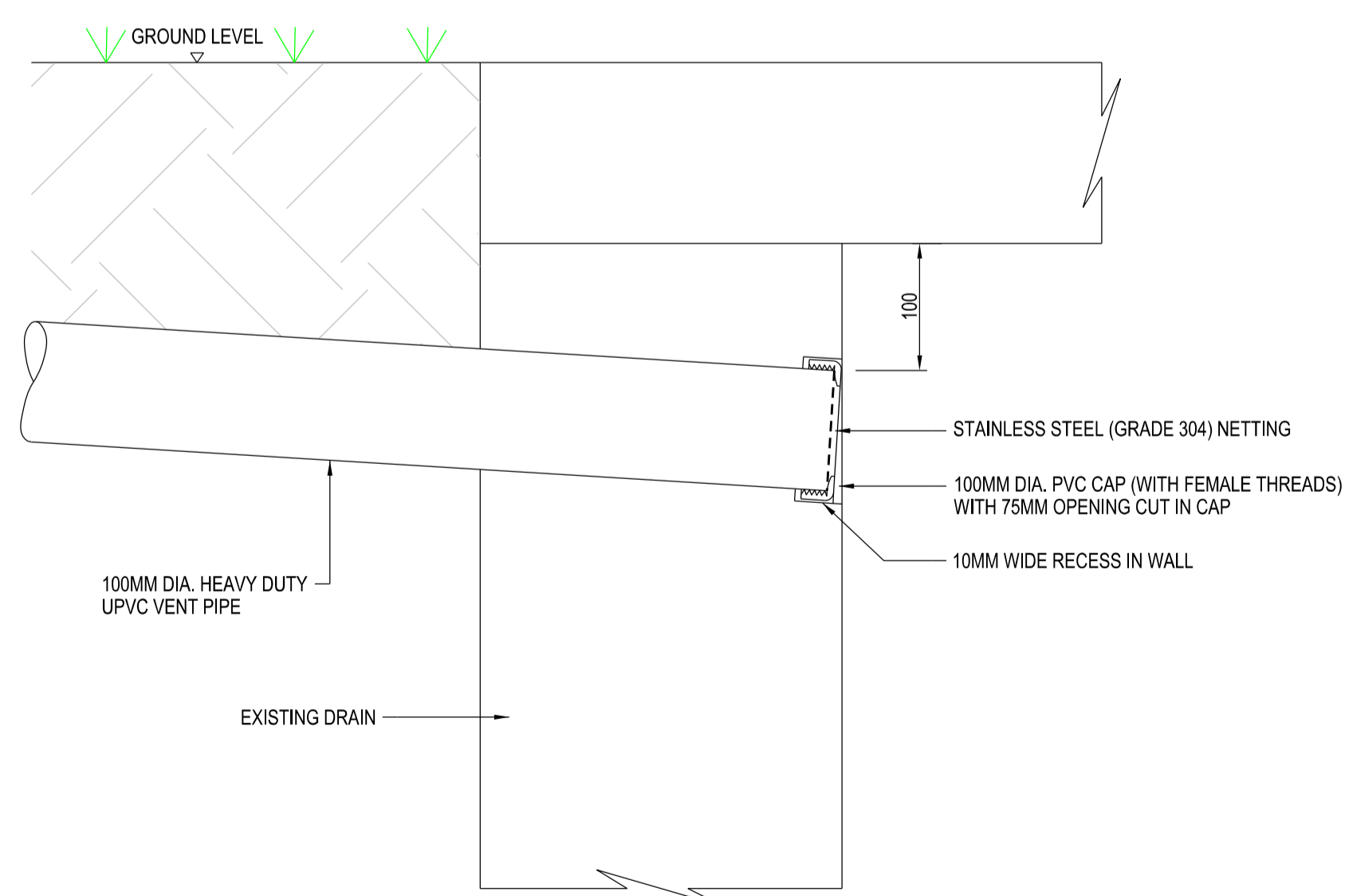
TOP PLATE



DETAIL 1 STAINLESS STEEL HOOD DETAIL



PLAN STAINLESS STEEL HOOD



HEAVY DUTY UPVC VENT PIPE DETAIL



ISOMETRIC VIEW OF 100MM DIA. CAP WITH 75MM OPENING

ISSUED: AUG 2021

SCALE

DRAWING NO.

LAST REVIEWED: AUG 2021

1:5

PUB/WSN/STD/118

DETAILS OF AIR VENT WITH HOOD AND HEAVY DUTY UPVC VENT PIPE FOR AIR VALVES AND OFF-ROAD AIR VALVE CHAMBERS (FOR 1900MM AND 2200MM DIA. PIPELINES)