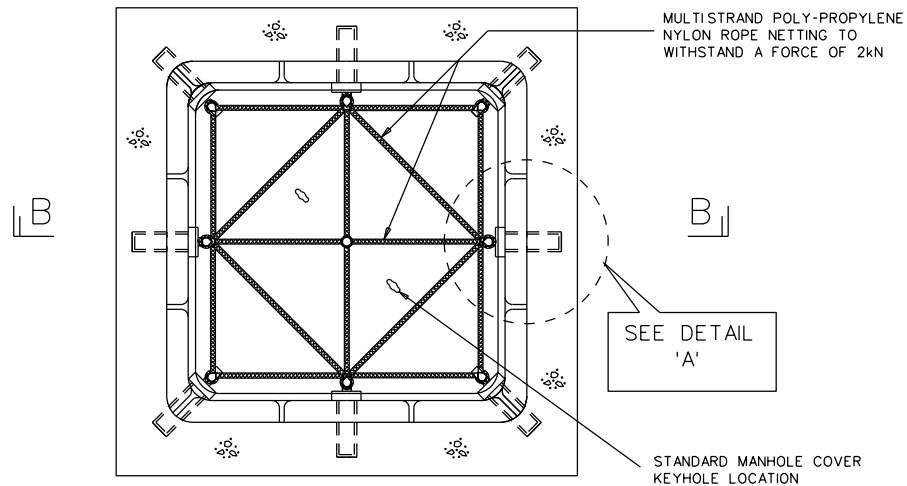
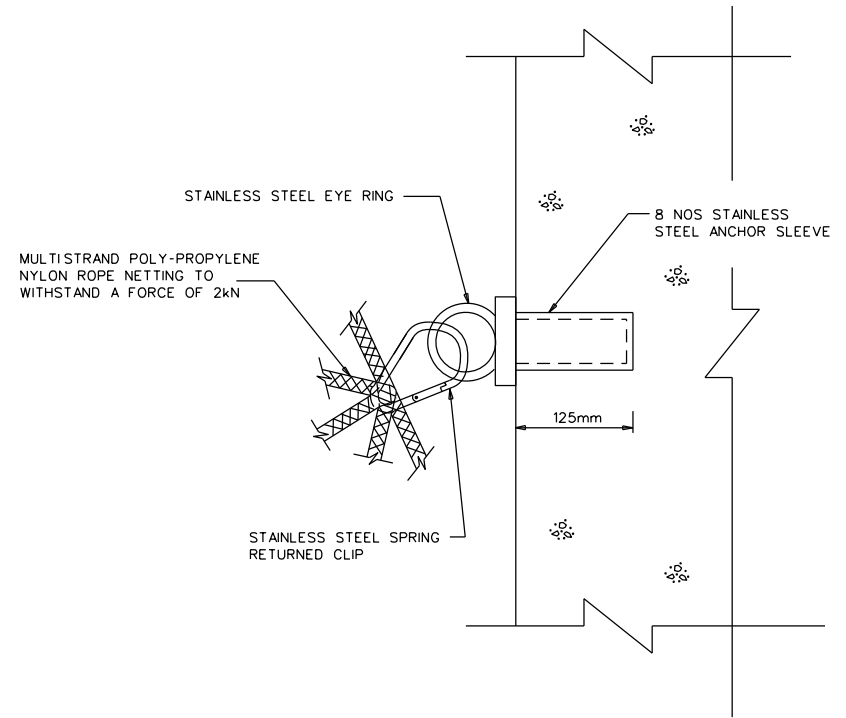


SECTION (B-B)



SECTIONAL PLAN (A-A)



DETAIL 'A'  
PLAN VIEW

NOTE:  
ALL STAINLESS STEEL ARE OF GRADE 316.

ISSUED : APR 2009

LAST REVIEWED : -

SCALES  
N.T.S  
UNLESS  
OTHERWISE  
STATED

DETAILS OF MULTISTRAND POLY-PROPYLENE NYLON ROPE NETTING